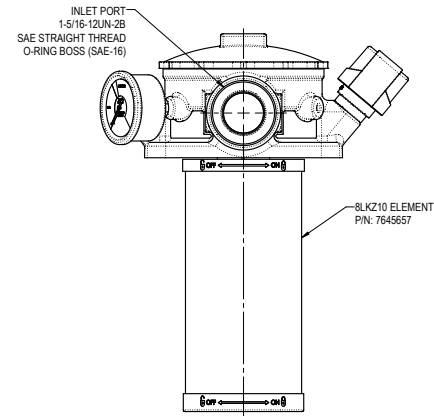
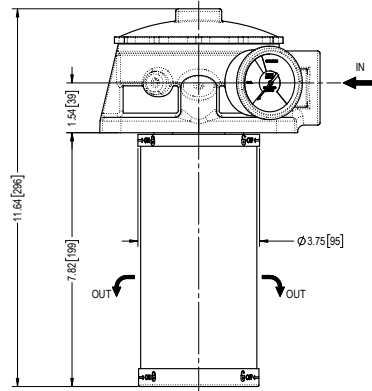


DATA SHEET

Air Fusion Technology (Fixed Head) - AFTF



Features

- Patent Pending In-tank filter design
- Lightweight and as part of a tank optimization package can reduce reservoir size
- Lock & Key Quality Protected, OEM-specific interfaces available
- Superior de-aeration performance
- Fixed head connection. Lines stay connected during element changeouts

Markets Served

- Automotive
- Agriculture
- Defense
- Forestry
- Industrial
- Marine
- Mining Technology
- Mobile Vehicles
- Oil & Gas
- Railroads
- Refuse

Filter Housing Specifications

Flow Rating:	40 gpm (151 L/min)
Max. Operating Pressure:	100 psi (7 bar)
Min. Yield Pressure:	350 psi (24 bar)
Rated Fatigue Pressure:	100 psi (7 bar)
Temp. Range:	-20°F to 225°F (-29°C to 107°C)
Bypass Setting:	Cracking: 30 psi (2 bar) Full Flow: 45 psi (3 bar)
Element Change Clearance:	4LK = 5.28" [134mm] 8LK = 8.62" [219mm] 12LK = 11.96" [304mm] 16LK = 15.30" [389mm]
Element Case:	12 elements

Fluid Compatibility

Type Fluid:	Appropriate Schroeder Media
Petroleum Based Fluids:	Z-Media® and ASP® media (synthetic)
High Water Content:	All Z-Media® and ASP® media (synthetic)
Invert Emulsions:	10 and 25 μ Z-Media® and 10 μ ASP® media (synthetic)
Water Glycols:	3, 5, 10 and 25 μ Z-Media® and all ASP® media (synthetic)
Phosphate Esters:	All Z-Media® (synthetic) with H (EPR) seal designation and all ASP® media (synthetic)